

PRODUCT DETAILS

A pressure tank is engineered to optimize the performance of your pressure pumping system by storing a volume of pressurised water.

This provides a draw-down volume to manage the frequency of pump stops/starts, especially in the event of small water demand or leaks.

A pressure tank protects and extends the life of your pump and will reduce noise and needless power consumption.

The BPT-40 is a diaphragm membrane type pressure tank for cold sanitary water circuits, pressurized systems, and storage systems



FEATURES

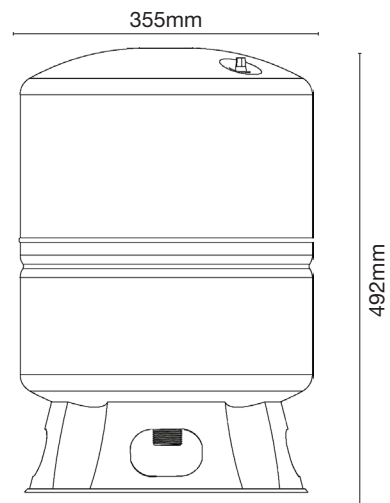
- 4 bar nitrogen pre-charge
- Cold rolled carbon steel construction
- Butyl rubber diaphragm - meets DIN 4807 standards
- Food grade polypropylene liner
- Liner and diaphragm form a sanitary potable water zone
- 1" BSPM Tapered 304 grade SS inlet

TECHNICAL DATA

PRESSURE RATING	10 bar
GAS PRESSURE AS SUPPLIED	4.0 bar
MAXIMUM TEMPERATURE	90°C
TOTAL TANK VOLUME (L)	40
NETT ACCEPTANCE VOLUME (L)	12
NETT WEIGHT (KG)	5.9

Manufacturer recommendation is that the maximum pre-charge pressure with the tank empty NOT exceed 5.5 bar

DIMENSIONS



WARRANTY / CERTIFICATIONS



WaterMark

WMTS485:2018 WM-032349

